

## AN 140 3D

for unrebated residential doors up to 40 kg



### Product features

- completely concealed hinge system
- for timber frames
- for unrebated residential doors
- 3D adjustable (side +/- 1,5 mm, height +/- 2,5 mm, compression +/- 1,0 mm)
- material zamak / acetal

### Technical details

Attributes	Value
Load capacity	40,0 kg
Overall length	110,0 mm
Width (door part)	24,0 mm
Width (frame part)	24,0 mm
Cutter diameter	14,0 or 16,0 mm
Collar ring diameter	25,0 or 27,0 mm
Opening angle	180°

### Note

The load capacity mentioned above refers to the use of 2 hinges

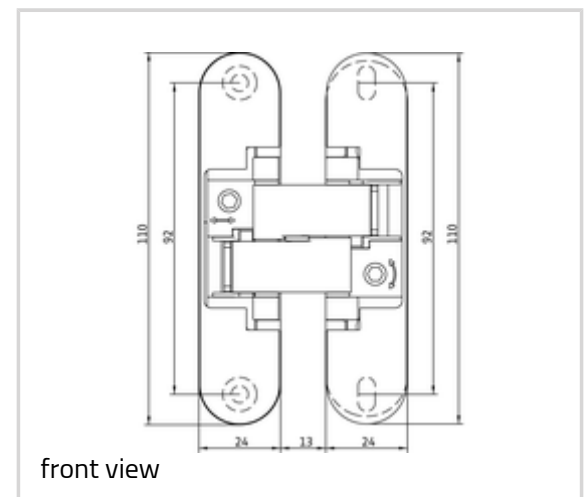
### Quality marks



Certification IFT



Certification UL



## Anselmi - AN 140 3D

per door leaf (900 x 2100 mm).

Suggested screws:

Frame side: Countersunk head screw DIN 7505 A, Diameter 4,5 mm

Door side: Pan head screw DIN 7505 B, Diameter 4,5 mm

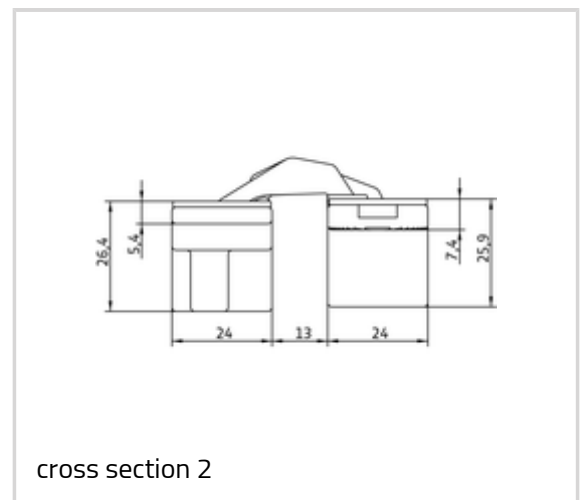
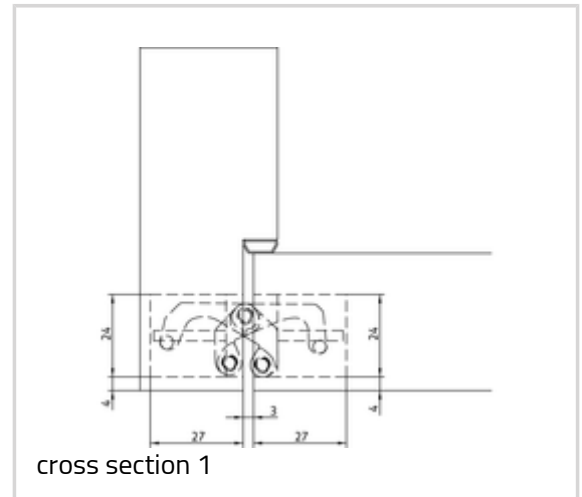
### Combinations

AN 107 3D C40

AN 140 3D FZ

### Item

Finish(es)	AN 014-Satin Chrome
OF-NR.	014
VPE	pack of 2
DIN	DIN right and left hand
EAN	8054608700598
Finish(es)	AN 017-Coated Bronze
OF-NR.	017
VPE	pack of 2
DIN	DIN right and left hand
EAN	8054608700604
Finish(es)	AN 018-Black
OF-NR.	018
VPE	pack of 2
DIN	DIN right and left hand
EAN	8054608700611
Finish(es)	AN 035-Antique Bronze
OF-NR.	035
VPE	pack of 2
DIN	DIN right and left hand
EAN	8054608700857
Finish(es)	AN 036-Aluminium Chrome
OF-NR.	036
VPE	pack of 2
DIN	DIN right and left hand



**Anselmi - AN 140 3D**

EAN	8054608700642
Finish(es)	AN 037-Polished Brass
OF-NR.	037
VPE	pack of 2
DIN	DIN right and left hand
EAN	8054608700659
Finish(es)	AN 039-Polished Chrome
OF-NR.	039
VPE	pack of 2
DIN	DIN right and left hand
EAN	8054608700666
Finish(es)	AN 044-Satin Nickel
OF-NR.	044
VPE	pack of 2
DIN	DIN right and left hand
EAN	8054608700628
Finish(es)	AN 049-RAL 9016 Traffic White
OF-NR.	049
VPE	pack of 2
DIN	DIN right and left hand
EAN	8054608700635