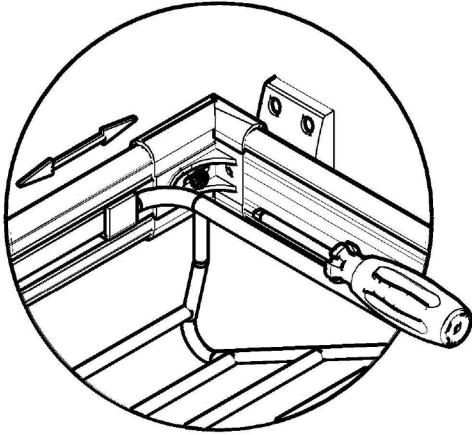


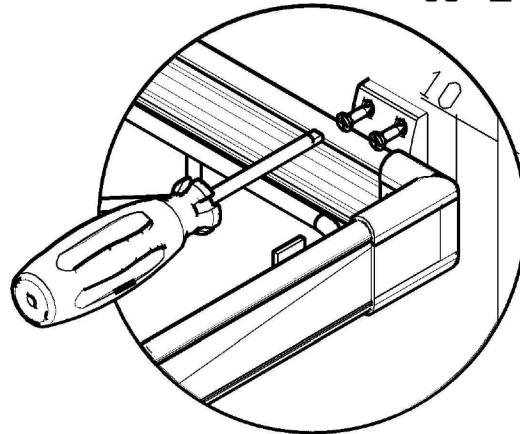
ALUMINIUM SHOE HOLDER WITH TELESCOPIC MOUNTING INSTRUCTION

A-1



1- Loosen to screw on the corner plastic. Adjust according frame of shoes rack in width module.
(A-1)

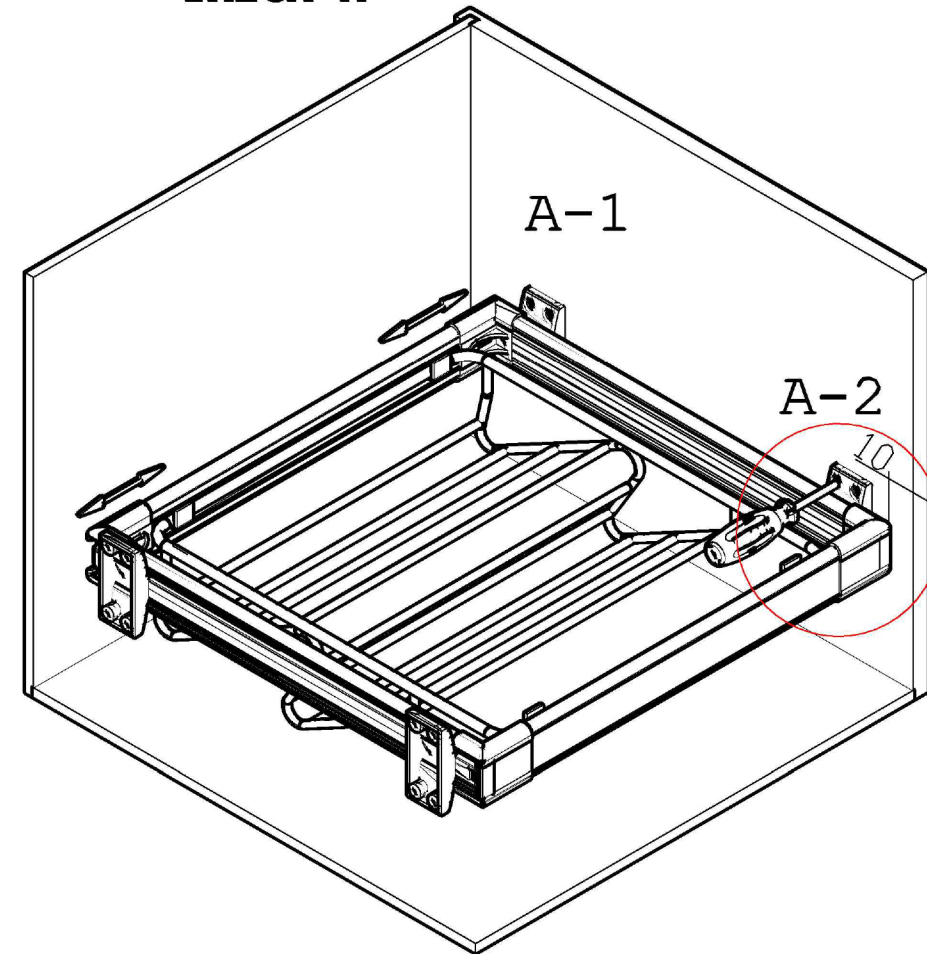
A-2



2- Fix the frame of shoes rack at a distance of 10 mm in front of the module from connection plastic with chip board screw.
(A-2)

3- Fix to screws on of corner plastic(A-1).
Check to working of mechanism.

IMEGA A



ITEM PARTS

NO	PART NAME	PCS.
1	SHOES RACK	1 Pcs.
2	RAIL	1 Set.
3	CHIP BOARD SCREW 3,5x16	16 Pcs.